



SUN SHIELD

Weather Proof, Temperature Transmitter

The ACI Sun Shield is a reliable solution for protecting the temperature sensors when mounted in a location where an overhang or shade is unavailable. It consists of nine (9) molded, white plastic plates which are used to reduce the thermal effect of the sun and increasing the air flow between the plates. The Sun Shield also provides an added level of protection for the sensors from rain and snow. The Sun Shield is available with our TT100 or TT1K Series 4-20 mA output temperature transmitters.

Applications: Outdoor Temperature Monitoring

The ACI TT Sun Shield is covered by ACI's Five (5) Year Limited Warranty. The warranty can be found in the front of ACI's Sensors & Transmitters catalog, as well as on ACI's website, www.workaci.com.

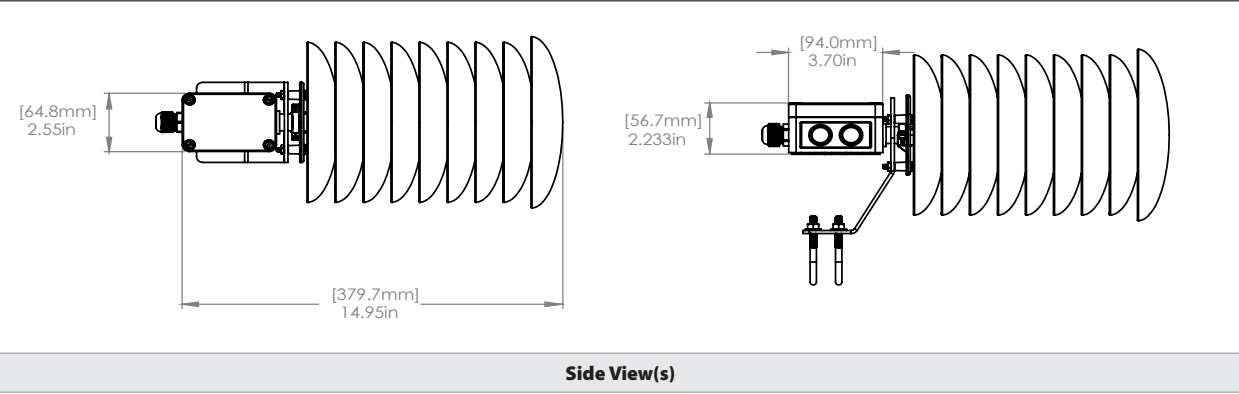
PRODUCT SPECIFICATIONS

TT Supply Voltage Supply Current:	+8.5 to 32 VDC (Reverse Polarity Protected) 25 mA minimum 250 Ohm Load: +13.5 to 32 VDC 500 Ohm Load: +18.5 to 32 VDC
TT Maximum Load Resistance:	(Terminal Voltage – 8.5 V) 0.020 A
TT Output Signals:	Current Output: 4-20 mA (2-Wire Loop Powered) Voltage Output: 1-5 VDC or 2-10 VDC (3-Wires)
TT Calibrated Accuracy Linearity ¹:	Temperature Spans < 500°F (260°C): +/- 0.2% Temperature Spans > 500°F (260°C): +/- 0.5%
TT Temperature Drift ²:	Temperature Spans < 100°F (38°C): +/- 0.04%/°F Temperature Spans > 100°F (38°C): +/- 0.02%/°F
TTM100/TTM1K NIST Certification Points:	3 Point NIST: 20%, 50% & 80% of span 5 Point NIST: 20%, 35%, 50%, 65%, 80% of span
TT Warm Up Time:	10 Minutes
Warm Up Drift:	+/- 0.1%
TT Operating Temperature Range:	-40 to 185°F (-40 to 85°C)
RH Range:	0 to 90% RH, non-condensing
Platinum RTD (PTC) Number Wires Wire Colors:	Two A/TT100 Series: Brown/Brown A/TT1K Series: Black/Black
Platinum RTD Sensor Output @ 32°F (0°C):	A/TT100 Series: 100 Ohms Nominal A/TT1K Series: 1000 Ohms Nominal
Platinum RTD Tolerance Class Accuracy:	+/- 0.06% Class A Tolerance Formula: +/- °C = (0.15°C + (0.002 * t)) where t is the absolute value of Temperature above or below 0°C in °C
Platinum RTD Sensor Stability:	+/-0.03% after 1000 Hours @ 572°F (300°C)
Platinum RTD Response Time (63% Step Change):	8 Seconds nominal
Enclosure Specifications (Material, Flammability, "4X" Enclosure: Polystyrene Plastic; UL94-V2; -40 to 158°F (-40 to 70°C); NEMA 4X (IP 66)	
Temperature, NEMA/IP Rating):	
Probe Material:	304 Stainless Steel
Probe Dimensions (Length x Diameter):	6.00" (152.4 mm) x 0.25" (6.35mm)
Product Dimensions (L x W x D):	14.95" (379.7 mm) x 7.50" (190.50 mm)
Product Weight:	4.16 lbs(1.89 kg)
Agency Approvals:	RoHS2, WEEE





DIMENSIONAL DRAWING



Side View(s)

CUSTOM ORDERING		Model # Example: A/ TT1K O-SUN 2 20-120°F	MODEL #
		A. B. C. D. E.	
A. Sensor Series <i>No Selection Required</i>	A/		A/
B. Temperature Sensor <i>Select One (1)</i>	TT100 = 100 Ohms TT1K = 1K Ohms		
C. Configuration <i>No Selection Required</i>	O-SUN = Outside Sun Shield (NEMA 4X)		O-SUN
D. Output Signal <i>Select One (1)</i>	--- = 4 to 20 mA (Default) 1= 1 to 5 VDC* 2 = 2 to 10 VDC*		
E. Calibrated Span <i>Select One (1)</i>	Specify Span in °F or °C (Best Accuracy in 100°F Increments)		