



ENC1

20 Gauge Metal Enclosure

The ENC1 is a 20 gauge metal enclosure designed to hold ACI control interfaces or any small HVAC or Building Automation Control component. ENC1 has a 2" diameter opening to view a potential gauge, and two 7/8" diameter openings in the ends to accept 1/2" EMT fittings for control and power wiring. Snap in covers on all openings. ENC1 features a light gray powder coat finish cured under high temperatures to seal all enclosure surfaces.

Applications: Interface Protective Housing, Protection for Small Building Automation System

The ENC1 Series is covered by ACI's two (2) Year Limited Warranty. The warranty can be found in the front of ACI's Sensors & Transmitters catalog, as well as on ACI's website, www.workaci.com.

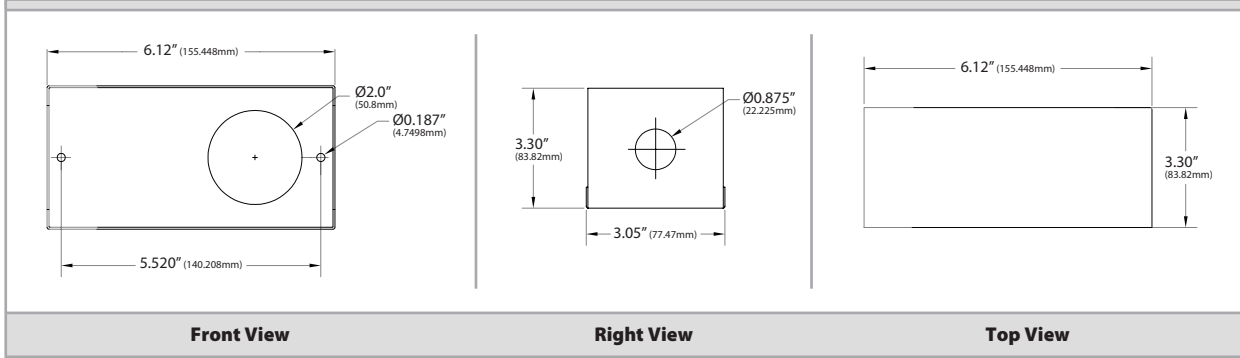
PRODUCT SPECIFICATIONS

Electrical Connections:	Base has two 7/8" holes in the ends to accept 1/2" EMPT conduit fitting for control and power wiring
Mounting Provisions (Base):	Base has two 3/16" hole for mounting with screws or bolts
Mounting Provisions (Interface Product):	Double faced tape for securing interface snap track in enclosure(There is an Adhesive foam Stop provided for holding interface in snaptrack)
Material:	20GA Metal
Finish:	Light Gray Powder Coat
Compatible With:	AAR, ARM, ARM2, ATL, ATP, AUD, LPR, PTA, PTA2, PTP, PXP, PTS4, RTI & TOB
Not Compatible With:	6N1-ISO, AFP, AIM1, AIM2, AIM3, ASA, DMUX, DRN3.1, DRN4, EFP, EPC, EPW, MAO, MDO, Photon 4.1
Operating Temperature:	35 to 120°F (1.7 to 48.9°C)
Operating RH:	10 to 95% non-condensing
Storage Temperature:	-20 to 150°F (-40 to 65.5°C)
Product Weight:	1.125 lbs. (0.51 Kg)
Product Dimensions:	(L) 6.12" (155.45 mm) x (W) 3.05" (77.47 mm) x (H) 3.3" (83.82 mm)
Agency Approvals:	RoHS2, WEEE





DIMENSIONAL DRAWING



STANDARD ORDERING

Model # Example: **ENC1** -OR- **102472**

Model #	Item #	Description
ENC1	102472	20 Gauge Metal Enclosure