

DVUT Series

Vari-Angle® Self-Indicating Temperature Transmitter

SPECIFICATIONS

- STEM: Full conformance with Fed Spec GG-T-321D. Fully interchangeable with Industrial glass thermometers. Precision die cast Zamac alloy (6" & longer stem has brass extension). For thermowell connections only.
- CASE, ADJUSTABLE JOINT & CONNECTING THREAD: Hi-impact ABS
- RANGE: -50-300°F & -45-150°C, with F/C switch
- DISPLAY: 1/2" LCD digits, wide ambient formula
- ACCURACY: greater of 1% of reading or 1°
- RESOLUTION: 1/10° between -19.9-199.9°F (28-93°C)
- RECALIBRATION: Through case potentiometer
- LUX RATING: 10 Lux (one foot candle) UPDATE: 10 seconds
- SENSOR: Glass passivated thermistor – NTC
- AMBIENT OPERATING TEMPERATURE: -30-140°F (-35-60°C)
- AMBIENT TEMPERATURE ERROR: Zero
- OPERATING HUMIDITY: 100% TRANSMITTER:
 - OUTPUT: 4-20mA
 - AMBIENT: -15-185°F (-25-85°C)
 - AMBIENT ERROR: 0.01% of Span (°C)
 - SUPPLY: 8 to 35VDC
 - MAXIMUM LOAD RESISTANCE: 775Ω with 24VDC Supply
 - ACCURACY: 0.1% of Span SENSOR:
 - Platinum 100Ω RTD

FEATURES

- Environmentally-Friendly
- Between °F & °C
- Compatible with most Building Automation Systems with 4-20mA input.



MARKETS

- Commercial & Institutional HVAC Systems
- Hot & Chilled Water Applications
- Glycol Systems
- Boilers
- Air Ducts

® Vari-Angle is a registered trademark of Weiss Instruments LLC

*Patent No. 5,196,781

DVUT-01.24



DVUT Series

Introducing the first "self-indicating" temperature transmitter that is light powered. Combining Weiss's patented mercury-free Solar Industrial Thermometer with a loop-powered 4 to 20mA transmitter results in a single unit that allows local reading and remote transmitting for HVAC systems, building automation or anywhere local and remote readings are required. Dual sensors offer independent operation for reliability and convenience. The DVUT requires one thermowell which saves time and money without sacrificing performance.

STANDARD RANGE

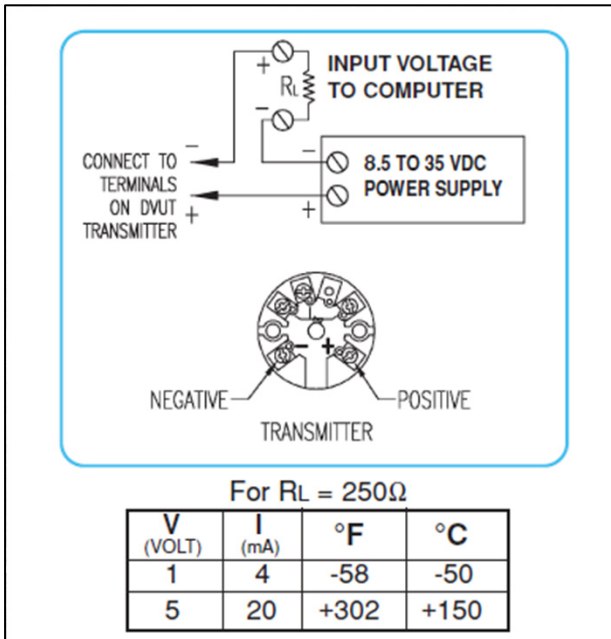
Code	°F Range	°C Range	Accuracy
One Single Range for All Applications			
None	-50/300°F	-45/150°C	Greater of 1% or 1°F

OPTIONS (consult factory)

- 6" Air Duct Stem
- E Series Thermowells
 - DVU35 – select from 3.5" Stem
 - DVU6 – select from 6" Stem

ORDERING CODES

Model	
DVUT35	3½" Stem
DVUT6	6" Stem
DVUT9	9" Stem
DVUT12	12" Stem
DVDT6	6" Air Duct Stem



DVUT-01.24

