

HIGH SPEED USB OUTPUT PRESSURE TRANSDUCER CONNECT DIRECTLY TO YOUR COMPUTER

High Speed
1000 Updates/per
Second

Gage and Absolute Pressures
10 inH₂O to 5000 psi (25 mb to 345 bar)
Vacuum and Compound Ranges
10 inH₂O to 15 psi (25 mb to 1 bar)
Barometric and Differential Pressure Ranges

Fast
Delivery!

PX409-015GUSBH
shown actual size.

PX409-USBH, PXM409-USBH Series

Imperial and Metric



Standard



2 m (6') integral
USB cable connects
directly to your PC.

USB OUTPUT
PRESSURE TRANSDUCERS

B

- ✓ 1000 Readings/Second
- ✓ Micro-Machined Silicon Sensor
- ✓ 316L SS Wetted Parts
- ✓ High $\pm 0.08\%$ BSL Accuracy
- ✓ Excellent Long Term Stability
- ✓ USB 2.0 and Below Compatible
- ✓ Standard USB Connector Termination
- ✓ Shock and Vibration Rated
- ✓ Ruggedized with Secondary Containment

The PX409 and PXM409 High Speed USBH Series connects directly to your computer. Free PC software enables you to chart, log, display, and output data for analysis. Also included are .NET APIs, and a command set for command-line access. The micro-machined silicon design is ideal for pressure or level applications in laboratory, test platforms, or bio/pharmaceutical applications as well as industrial applications that require a rugged, high accuracy transducer. The micro-machined silicon sensor provides a very stable transducer with exceptional high accuracy of $\pm 0.08\%$ and a broad compensated range of -29 to 85°C (-20 to 185°F). The modular construction allows for fast delivery of most configurations and fittings. Delivery is typically stock to 1 week!

SPECIFICATIONS

Accuracy: 0.08% BSL (linearity, hysteresis and repeatability combined)

Resolution: Up to 5.5 significant figures

Temperature Compensation (Over Compensated Range):

Span: Range > 5 psi: $\pm 0.5\%$

Range ≤ 5 psi: $\pm 1.0\%$

Zero: Range > 5 psi: $\pm 0.5\%$

Range ≤ 5 psi: $\pm 1.0\%$

Minimum Isolation:

100 M Ω @ 50 Vdc case to sensor

2 M Ω @ 50 Vdc case to output terminations

Pressure Cycles: 1 million, minimum

Long Term Stability (1-Year): $\pm 0.1\%$ full scale typical

A to D Conversion: 24-bit

Shock: 50 g, 11 ms half sine, vertical and horizontal axis

Vibration: 5-2000-5 Hz, 30 minute cycle, Curve L, Mil-Spec 810 figure 514-2-2, vertical and horizontal axis

Bandwidth: DC to 1000 updates per second typical ($\pm 3\%$)

FREE OMEGA® USBH Downloadable Software!

OMEGA is excited to announce the release of a major software update for USB Transducers! The fresh look and added features add even more value and flexibility to your transducer's performance.

Free OMEGA PC software takes the data from the transducer directly to the digital domain, turning your laptop or Windows® tablet (with USB connection) into a virtual meter, chart recorder, or data logger.

Also included are .NET APIs and a set for command-line access. Visit

<https://www.omega.com/en-us/sensors-and-sensing-equipment/pressure-and-strain/pressure-transducers/p/PX409-Series> to download your free copy.*

*Includes software to run TRH Central compatible devices.

Power Consumption: 0.35 W typical

CE Compliant: Meets industrial emissions and immunity EN61326

Environmental Protection: IP65

Secondary Containment

Gage/Vacuum/Compound Pressure:

10 inH₂O to 5 psi: to 1000 psi

15 to 1000 psi: to 3000 psi

1500 to 5000 psi: to 10,000 psi

25 to 350 mb: to 70 bar

1 to 70 bar: to 200 bar

100 to 350 bar: to 700 bar

Absolute/Barometric Pressure:

5 to 1000 psia: to 6000 psia

1500 to 5000 psia: to 10,000 psia

350 mb to 70 bar: to 400 bar

100 to 350 bar: to 700 bar

Zero Balance:

Ranges > 170 mB: $\pm 0.5\%$ typ. (1% max)

Ranges ≤ 170 mB: $\pm 1\%$ typ. (2% max)

Span Setting:

Ranges > 170 mB: $\pm 0.5\%$ typ. (1% max)

Ranges ≤ 170 mB: $\pm 1\%$ typ. (2% max)

Overpressure

Gage/Vacuum/Compound Pressure:

10 inH₂O: 10 times span

1 psi: 6 times span

2.5 psi to 1000 psi: 4 times span

1500 psi to 5000 psi: 7250 psi maximum

Absolute/Barometric Pressure:

5 psia: 6 times span

15 psia to 1000 psia: 4 times span

1500 to 5000 psia: 7250 psia maximum

350 mb to 100 bar absolute: 4 times span

175 to 350 bar absolute: 500 bar maximum

Wetted Parts: 316L stainless steel

Weight: 200 g (7 oz)

Operating Temperature Range: -40 to 85°C (-40 to 185°F)

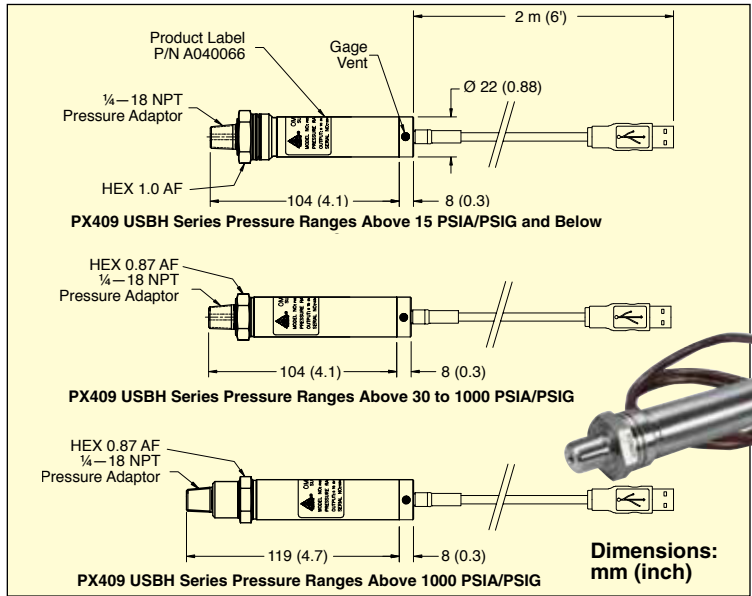
Compensated Temperature:

Ranges > 5 psi (350 mb): -29 to 85°C (-20 to 185°F)

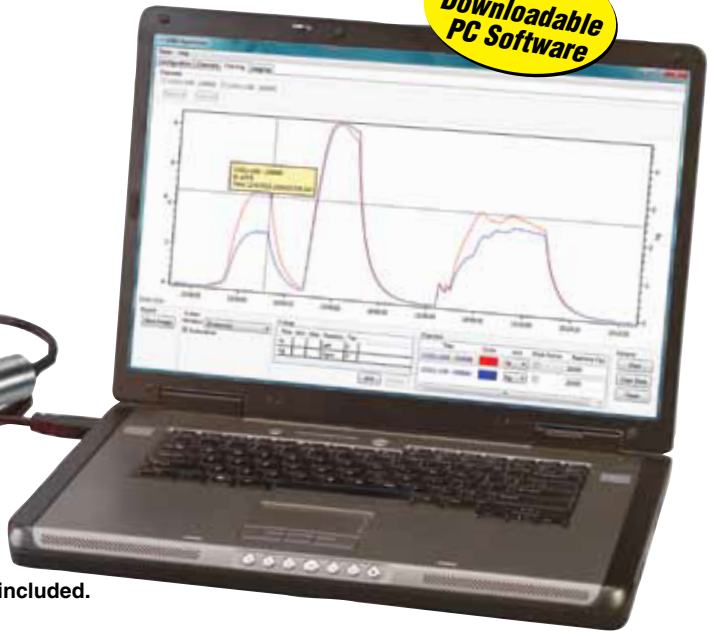
Ranges ≤ 5 psi (350 mb): -17 to 85°C (0 to 185°F)

Metric threads and
ranges available.

**Free
Downloadable
PC Software**



Laptop not included.



HIGH SPEED USB DIFFERENTIAL PRESSURE TRANSDUCERS

SPECIFICATIONS DIFFERENTIAL MODELS

Ranges: Unidirectional 10 in H₂O to 1000 psi

Line/Static Pressure: 500 psi maximum applied to both sides simultaneously

High Side Containment Pressure (Differential)

Wet/Dry and Wet/Wet:

10 inH₂O to 5 psi: to 1000 psi
15 to 1000 psi: to 3000 psi

Overpressure (Differential)

Wet/Dry and Wet/Wet:

10 inH₂O: 3.6 psi
1 psi: to 6 psi
2.5 psi to 750 psi: 4 times span
1000 psi: to 3000 psi

Weight: 227 g (8 oz)

Line Pressure: 500 psi maximum

Fitting: ¼-18 NPT male

OPTION DESCRIPTIONS

Unit	PX459 for Imperial PXM459 for Metric
Range <i>(Examples of range per unit per type. Please View All Models for all available ranges per pressure type. Explore Configurator for Custom Ranges)</i>	10W for Imperial Pressure 0 to 10 in H ₂ O 001 for Imperial Pressure 0 to 1 psi 030 for Imperial Pressure 0 to 30 psi 750 for Imperial Pressure 0 to 750 psi 1.0K for Imperial Pressure 0 to 1000 psi 16B for Imperial Barometric 16 to 32 inHg 32B for Metric Pressure 0 to 32 inHg 001B for Metric Pressure 0 to 1 bar 350B for Metric Pressure 0 to 350 bar 350H for Metric Compound Guage -350 to 350 mbar 880H for Metric Barometric 880 to 1,100 mbar
Pressure Type	G for Gage A for Absolute (15 to 5000 psia) B for Barometric Pressure V for Vacuum (Negative Guage) CG for Compound Guage (10W to 15 psi only) DWU for Wet/Wet Unidirectional Differential WDU for Wet/Dry Unidirectional Differential
Output Signal	USBH for High Speed USB

Comes complete with 5-point NIST traceable calibration certificate, cable with USB connector, and free downloadable PC software.

Ordering Examples: PX409-100DDUUSBH, Wet/Dry 0 to 100 psi differential high speed USB output transducer.

PX409-2.5DWUUSBH, Wet/Wet 0 to 2.5 psi differential high speed USB output transducer.

PX409-100GUSBH, 2 m (6') cable with USB termination, 100 psig range, USB output.

PX409-16BUSBH, 2 m (6') cable with USB termination, 16 to 32 inHg absolute barometric range, USB output.



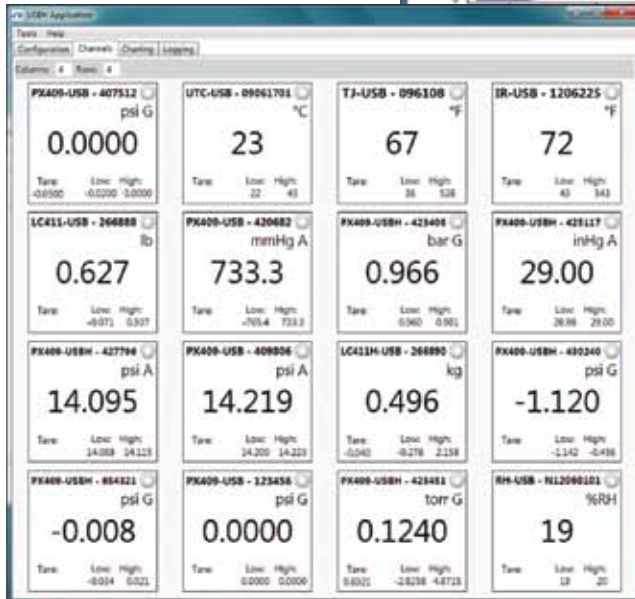
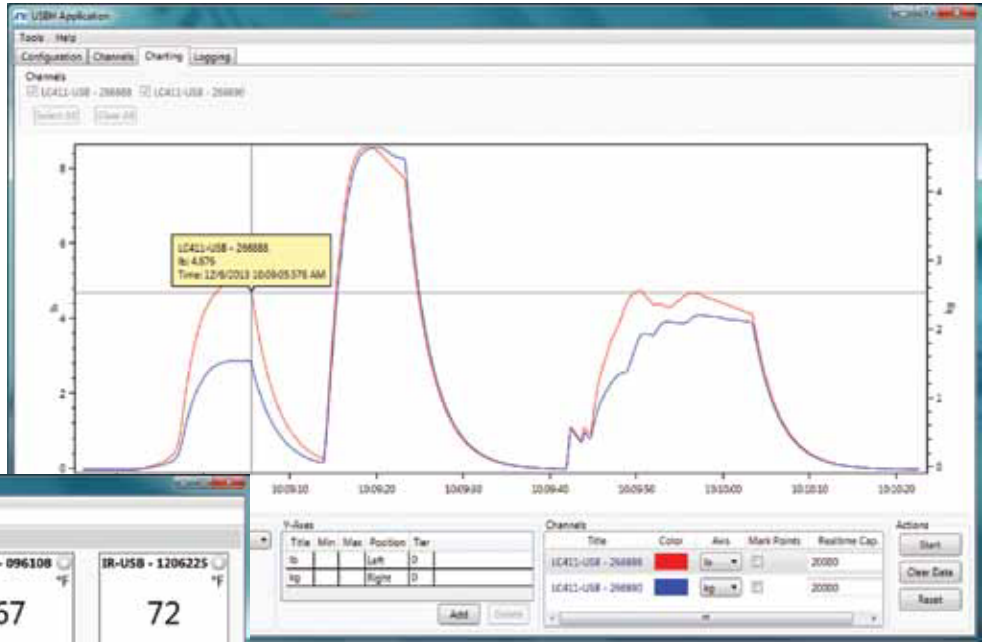
OMEGA USBH MAJOR SOFTWARE UPDATE

OMEGA is excited to announce the release of a major software update for USB Transducers! The fresh look and added features add even more value and flexibility to your transducer's performance. Free OMEGA PC software takes the data from the transducer directly to the digital domain, turning your laptop or Windows® tablet (with USB connection) into a virtual meter, chart recorder, or data logger. Also included are .NET APIs and a set for command-line access.

Visit <https://www.omega.com/en-us/sensors-and-sensing-equipment/pressure-and-strain/pressure-transducers/p/PX409-Series> to download your free copy.*

* Includes software to run TRH Central compatible devices.

Charting Window – The addition of a charting window allows you to see your data graphed in real time. The Y axis is configurable to allow simultaneous graphing of multiple engineering units. You can output the image of your data to a png file.



Channels Window – Display data from all of your sensors simultaneously. Each channel has configurable user alarms, three data filters, tare, resettable low/high indication, and sample rates ranging from 30 minutes to 1000 Hz.

Logging Window – A new xls filetype output option presents preformatted data for readability. In addition, Live Statistics are displayed, including the sensor information, the start/stop time, the number of samples taken, the current reading, and the High/Low readings. With the logging window, you can capture your data for later analysis.

PX409-USBH-425117	
Units	psi
Count	10
Last	14.2349
Low	14.2349
High	14.2353

Support for Omega Pressure, Force, Temperature, and Humidity USB Transducers

One software package supports:

PX409-*-USB, PX409-*-USBH, LC411-*-USBH, TJ-USB, IR-USB, RH-USB and UTC-USB transducers.

