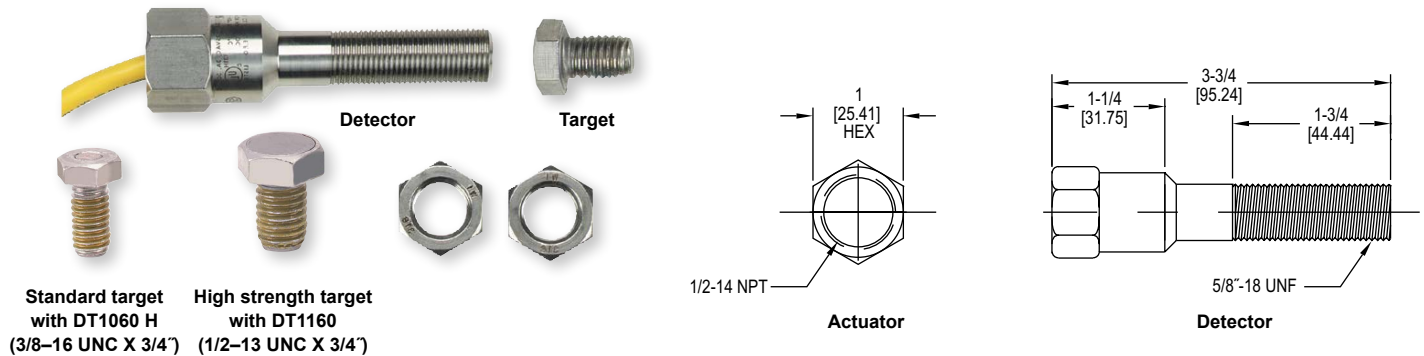


DETECTOR POSITION SENSORS

Reliable Magnetic Point Sensor, Stainless Steel Housing, AC or DC



Standard target with DT1060 H
(3/8-16 UNC X 3/4")

High strength target with DT1160
(1/2-13 UNC X 3/4")

The **Series DT Detector Position Sensors** are reliable, magnetically actuated, SS, completely interchangeable with competitive units. AC or DC for user friendly operation. They have no moving parts, eliminate costly seal fittings and offer enhanced reliability by eliminating arcing. Unintentional actuation by metals is not a problem. The sensor consists of a durable hermetically sealed reed switch potted in a SS housing and a separate 316 stainless steel magnetic actuator bolt. As the actuator moves within the sensing range of the sensor, the magnet in the actuator changes the state of reed switch contacts inside the sensor. This either opens or closes a circuit depending on wiring configuration. Sensing distance is 0.1" (2.54 mm) for the standard target. Greater sensitivity of a larger magnetic target increases the sensing distance to 0.5" (12.7 mm).

BENEFITS/FEATURES

- Excellent for hazardous and corrosive environments
- Can be mounted in any position
- Designed to NEMA 1, 3, 4, 4X, 6, 7, 9, 12 and 13

APPLICATIONS

- Position monitoring and indication with devices such as linear valves – actuators and cylinders – rotary valves – dampers

SPECIFICATIONS

Temperature Limits: -40 to 163°F (-40 to 73°C).

Switch Type: Tungsten, SPDT, form C.

Electrical Rating: 3 A @ 125 VAC, 3 A @ 30 VDC.

Enclosure Rating: Weatherproof; Hermetically sealed; Explosion-proof UL and CSA listed for Class I, Groups A, B, C, and D; Class II, Groups E, F and G. Divisions 1 and 2.

Intrinsically Safe: Simple apparatus (with barrier).

Operating/Response Time: 3.0 ms.

Initial Contact Resistance: 0.50 Ω (max).

Repeatability: 0.005" (.01 cm).

Hysteresis: 0.030" (.08 cm).

Electrical Connection: Factory sealed leads with 18" min, 4 conductor, PVC insulated, 18 AWG – green/red/black/white (ground/NC/ NO/common).

Housing: 316 SS.

Potting: Epoxy resin.

Conduit: 1/2"-14" female NPT.

Weight: 0.32 lb (145 g); 0.45 lb (204 g) with actuator.

Compliance: CSA, cULus.

MODEL CHART

Model	Description	Sensing Distance
DT1060	Detector and standard actuator	0.1" (2.54 mm)
DT1160	Detector and high strength actuator	0.5" (12.7 mm)