

Ω OMEGA ENGINEERING, INC.

PSW495B

INSTRUCTION
SHEET

M3421/0902

INSTALLATION INSTRUCTIONS FOR OMEGA® PSW495 EXPLOSION-PROOF SWITCH



STANDARD RANGES

30" Hg Vac
30, 60, 100, 200, 400, 600,
1000, 2000, 3000 psi

INTRODUCTION

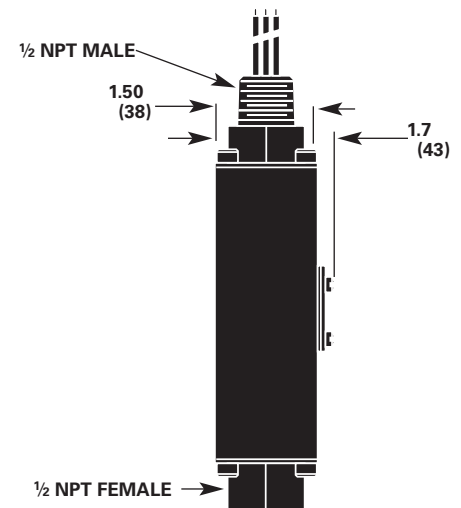
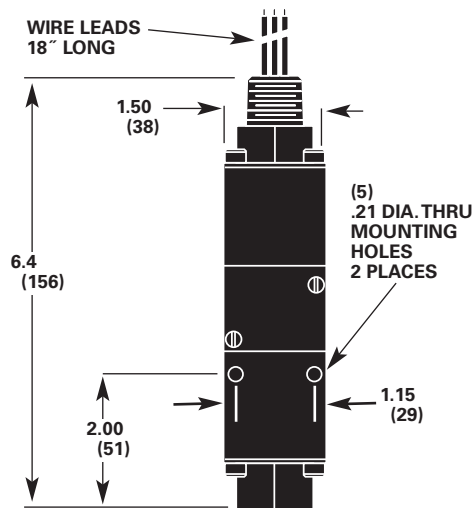
The PSW495 pressure switch is a precision built U.L. approved control device which features a single or dual SPDT, hermetically snap-action switch. Several wetted material constructions for compatibility with pressure media may be obtained.

Series PSW495 switches have a fixed deadband which will be within the limits noted on the nameplate.

MOUNTING

The PSW495 snap-action pressure switch has an anodized aluminum body and conduit fitting with a 316 stainless steel pressure port.

Two holes are used to surface mount the control. Location of the holes is shown on the general dimension drawings. Mount on a vibration-free surface in any orientation. When tightening control to pressure line, always use the hex on the pressure connection. **NEVERTIGHTEN BYTWISTING THE BODY OR THE CONDUIT HEX.**



ELECTRICAL CONNECTION

The PSW495 switch is available in SPDT or (2) SPDT circuit. Wire leads (18") are provided for both switches.

SPDT

Common – White
Normally Open – Blue
Normally Closed – Red
Ground – Green

(2) SPDT

Common – (JJ) White/Black
(LL) White/Green
Normally Open – Blue
Normally Closed – Red
Common – Black
Normally Open – Blue/Black
Normally Closed – Red/Black
Ground – Green

ELECTRICAL RATING

(General Purpose)	ORDER CODE	
11A 125/250Vac resistive;	SPDT	DPDT
5A 30Vdc resistive	J	JJ
(Narrow Deadband)		
5A 125/250Vac resistive	P	N/A
(Gold Contacts) 1A 125Vac	L	LL

ADJUSTMENT OF SETPOINT

A single setpoint adjustment nut is located centrally inside the cover of the body. Align bottom of adjustment nut slot with scale for approximate pressure setting.

The adjustment nut is locked in place with a set screw located centrally in the body below the adjustment nut. A 5/64" Allen wrench is used to adjust the set screw.

For accurate setpoint calibration use Omega PCL-1B handheld calibrator with a pump or Omega deadweight gauge tester.

As received, the pressure switch will normally be set to approximately 90% of the indicated range. Pressurize the system to the required setpoint and turn the adjustment nut until switch changes mode. When the setpoint has been achieved raise and lower pressure to ensure that setpoint is correct.

After installation of the control replace the cover to protect internal parts from the environment.



OMEGAnet® On-Line Service
www.omega.com

Internet e-mail
info@omega.com

Servicing North America:

USA:
ISO 9001 Certified

One Omega Drive, P.O. Box 4047
Stamford CT 06907-0047
TEL: (203) 359-1660 FAX: (203) 359-7700
e-mail: info@omega.com

Canada:

976 Bergar
Laval (Quebec) H7L 5A1
TEL: (514) 856-6928 FAX: (514) 856-6886
e-mail: canada@omega.com

For immediate technical or application assistance:

USA and Canada: Sales Service: 1-800-826-6342 / 1-800-TC-OMEGA®
Customer Service: 1-800-622-2378 / 1-800-622-BEST®
Engineering Service: 1-800-872-9436 / 1-800-USA-WHEN®
TELEX: 996404 EASYLINK: 62968934 CABLE: OMEGA

Mexico:

Tel: (001) 800-826-6342 FAX: (001) 203-359-7807
En Español: (001) 203-359-7803 e-mail: espanol@omega.com
info@omega.com.mx

Servicing Europe:

Benelux:

Postbus 8034, 1180 LA Amstelveen, The Netherlands
Tel: +31 (0)20 6418405 FAX: +31 (0)20 6434643
Toll Free in Benelux: 06 0993344
e-mail: nl@omega.com

Czech Republic:

Rudé armády 1868,73301 Karviná
TEL: +420 (0)69 6311899 FAX: +420 (0)69 6311114
Toll Free in Czech Rep.: 0800-1-66342
e-mail: czech@omega.com

France:

9, rue Denis Papin, 78190 Trappes
TEL: +33 (0)130 621 400 FAX: +33 (0)130 699 120
Toll Free in France: 0800-4-06342
e-mail: france@omega.com

Germany/Austria:

Daimlerstrasse 26, D-75392 Deckenpfronn, Germany
TEL: +49 (0)7056 3017 FAX: +49 (0)7056 8540
Toll Free in Germany: 0800 TC OMEGASM
e-mail: germany@omega.com

United Kingdom:

ISO 9002 Certified
P.O. Box 7, Omega Drive,
Irlam, Manchester,
M44 5EX, United Kingdom
TEL: +44 (0)161 777 6611 FAX: +44 (0)161 777 6622
Toll Free in England: 0800 488 488
e-mail: sales@omega.co.uk

It is the policy of OMEGA to comply with all worldwide safety and EMC/EMI regulations that apply. OMEGA is constantly pursuing certification of its products to the European New Approach Directives. OMEGA will add the CE mark to every appropriate device upon certification.

The information contained in this document is believed to be correct but OMEGA Engineering, Inc. accepts no liability for any errors it contains, and reserves the right to alter specifications without notice.

WARNING: These products are not designed for use in, and should not be used for, patient connected applications.

MADE IN

USA

WARRANTY/DISCLAIMER

OMEGA ENGINEERING, INC. warrants this unit to be free of defects in materials and workmanship for a period of **13 months** from date of purchase. OMEGA's Warranty adds an additional one (1) month grace period to the normal **one (1) year product warranty** to cover handling and shipping time. This ensures that OMEGA's customers receive maximum coverage on each product.

If the unit should malfunction, it must be returned to the factory for evaluation. OMEGA's Customer Service Department will issue an Authorized Return (AR) number immediately upon phone or written request. Upon examination by OMEGA, if the unit is found to be defective it will be repaired or replaced at no charge. OMEGA's WARRANTY does not apply to defects resulting from any action of the purchaser, including but not limited to mishandling, improper interfacing, operation outside of design limits, improper repair, or unauthorized modification. This WARRANTY is VOID if the unit shows evidence of having been tampered with or shows evidence of being damaged as a result of excessive corrosion; or current, heat, moisture or vibration; improper specification; misapplication; misuse or other operating conditions outside of OMEGA's control. Components which wear are not warranted, including but not limited to contact points, fuses, and triacs.

OMEGA is pleased to offer suggestions on the use of its various products. However, OMEGA neither assumes responsibility for any omissions or errors nor assumes liability for any damages that result from the use of its products in accordance with information provided by OMEGA, either verbal or written. OMEGA warrants only that the parts manufactured by it will be as specified and free of defects. OMEGA MAKES NO OTHER WARRANTIES OR REPRESENTATIONS OF ANY KIND WHATSOEVER, EXPRESSED OR IMPLIED, EXCEPT THAT OF TITLE, AND ALL IMPLIED WARRANTIES INCLUDING ANY WARRANTY OF MERCHANTABILITY AND FITNESS FOR A PARTICULAR PURPOSE ARE HEREBY DISCLAIMED. LIMITATION OF LIABILITY: The remedies of purchaser set forth herein are exclusive and the total liability of OMEGA with respect to this order, whether based on contract, warranty, negligence, indemnification, strict liability or otherwise, shall not exceed the purchase price of the component upon which liability is based. In no event shall OMEGA be liable for consequential, incidental or special damages.

CONDITIONS: Equipment sold by OMEGA is not intended to be used, nor shall it be used: (1) as a "Basic Component" under 10 CFR 21 (NRC), used in or with any nuclear installation or activity; or (2) in medical applications or used on humans. Should any Product(s) be used in or with any nuclear installation or activity, medical application, used on humans, or misused in any way, OMEGA assumes no responsibility as set forth in our basic WARRANTY/DISCLAIMER language, and additionally, purchaser will indemnify OMEGA and hold OMEGA harmless from any liability or damage whatsoever arising out of the use of the Product(s) in such a manner.

RETURN REQUESTS / INQUIRIES

Direct all warranty and repair requests/inquiries to the OMEGA Customer Service Department. BEFORE RETURNING ANY PRODUCT(S) TO OMEGA, PURCHASER MUST OBTAIN AN AUTHORIZED RETURN (AR) NUMBER FROM OMEGA'S CUSTOMER SERVICE DEPARTMENT (IN ORDER TO AVOID PROCESSING DELAYS). The assigned AR number should then be marked on the outside of the return package and on any correspondence.

The purchaser is responsible for shipping charges, freight, insurance and proper packaging to prevent breakage in transit.

FOR **WARRANTY** RETURNS, please have the following information available BEFORE contacting OMEGA:

1. P.O. number under which the product was PURCHASED,
2. Model and serial number of the product under warranty, and
3. Repair instructions and/or specific problems relative to the product.

FOR **NON-WARRANTY** REPAIRS, consult OMEGA for current repair charges. Have the following information available BEFORE contacting OMEGA:

1. P.O. number to cover the COST of the repair,
2. Model and serial number of product, and
3. Repair instructions and/or specific problems relative to the product.

OMEGA's policy is to make running changes, not model changes, whenever an improvement is possible. This affords our customers the latest in technology and engineering.

OMEGA is a registered trademark of OMEGA ENGINEERING, INC.

© Copyright 1999 OMEGA ENGINEERING, INC. All rights reserved. This document may not be copied, photocopied, reproduced, translated, or reduced to any electronic medium or machine-readable form, in whole or in part, without prior written consent of OMEGA ENGINEERING, INC.