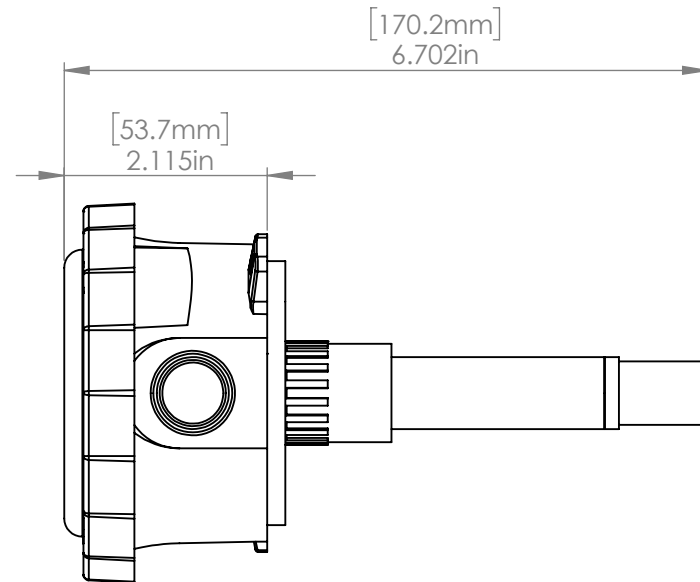
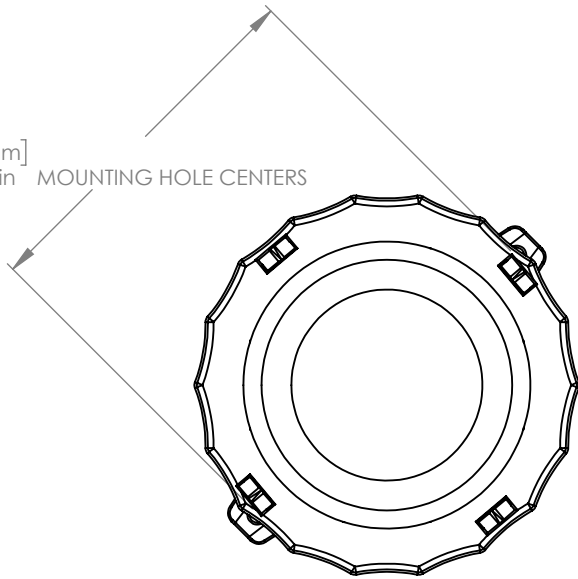


[96.6mm]
3.801in MOUNTING HOLE CENTERS



DIMENSIONS ARE IN INCHES
TOLERANCES: (UNLESS NOTED)
3 PLACE DECIMAL = ±0.005
2 PLACE DECIMAL = ±0.150
1 PLACE DECIMAL = ±0.050
DIMENSIONS IN INCHES
DRAWING NOT TO SCALE

PROPRIETARY AND CONFIDENTIAL
THE INFORMATION CONTAINED IN THIS
DRAWING IS THE SOLE PROPERTY OF
AUTOMATION COMPONENTS INC. ANY
REPRODUCTION IN PART OR AS A WHOLE
WITHOUT THE WRITTEN PERMISSION OF
AUTOMATION COMPONENTS INC. IS
PROHIBITED.



ITEM NUMBER:

124413

DEBURR AND BREAK
SHARP EDGES

DESCRIPTION:

A/RH2-CP-D-3.25"-EH

DWG. NO.

M0000717

REV

1

MATERIAL:

DATE:

12/10/21

DRAWN BY:

TM

APPROVED BY:

DSC

SCALE: 1:5

DO NOT SCALE DRAWING

SHEET 1 OF 1