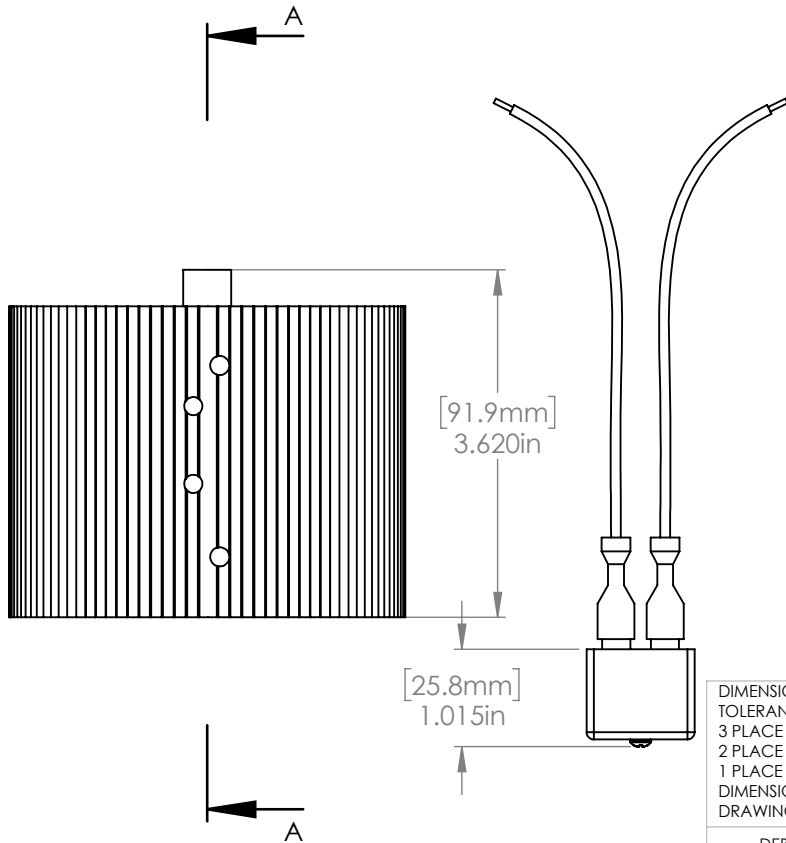


SECTION A-A



DIMENSIONS ARE IN INCHES
 TOLERANCES: (UNLESS NOTED)
 3 PLACE DECIMAL = ±0.005
 2 PLACE DECIMAL = ±0.015
 1 PLACE DECIMAL = ±0.050
 DIMENSIONS IN INCHES
 DRAWING NOT TO SCALE

PROPRIETARY AND CONFIDENTIAL
 THE INFORMATION CONTAINED IN THIS
 DRAWING IS THE SOLE PROPERTY OF
 AUTOMATION COMPONENTS INC. ANY
 REPRODUCTION IN PART OR AS A WHOLE
 WITHOUT THE WRITTEN PERMISSION OF
 AUTOMATION COMPONENTS INC. IS
 PROHIBITED.



WORKWISE#:
 149008

DEBURR AND BREAK
 SHARP EDGES

DESCRIPTION:
 FSIG-LSL-024

DWG. NO.
 M0000716

REV
 1

MATERIAL:

DATE:
 2/3/2022

DRAWN BY:
 TM

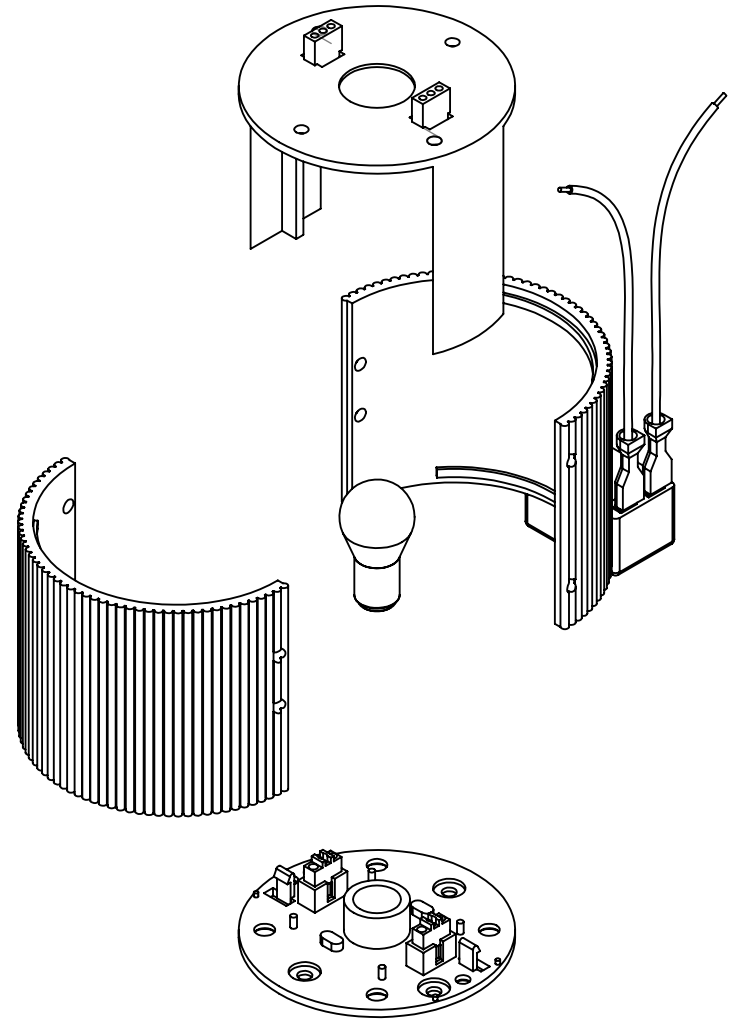
APPROVED BY:

SCALE: 1:2

DO NOT SCALE DRAWING

SHEET 1 OF 2

WORKWISE #	COLOR	LSL-024X
148902	Amber	LSL-024A
148903	Blue	LSL-024B
148904	Clear	LSL-024C
148905	Green	LSL-024G
148906	Red	LSL-024R



DIMENSIONS ARE IN INCHES
TOLERANCES: (UNLESS NOTED)
3 PLACE DECIMAL = ±0.005
2 PLACE DECIMAL = ±0.015
1 PLACE DECIMAL = ±0.050
DIMENSIONS IN INCHES
DRAWING NOT TO SCALE

PROPRIETARY AND CONFIDENTIAL
THE INFORMATION CONTAINED IN THIS
DRAWING IS THE SOLE PROPERTY OF
AUTOMATION COMPONENTS INC. ANY
REPRODUCTION IN PART OR AS A WHOLE
WITHOUT THE WRITTEN PERMISSION OF
AUTOMATION COMPONENTS INC. IS
PROHIBITED.



WORKWISE#:
149008

DEBURR AND BREAK
SHARP EDGES

DESCRIPTION:
FSIG-LSL-024

DWG. NO.
M0000716

REV
1

MATERIAL:

DATE:
2/3/2022

DRAWN BY:
TM

APPROVED BY:

SCALE: 1:2

DO NOT SCALE DRAWING SHEET 2 OF 2