

SECTION C-C

DIMENSIONS ARE IN INCHES
 TOLERANCES: (UNLESS NOTED)
 3 PLACE DECIMAL = ±0.005
 2 PLACE DECIMAL = ±0.015
 1 PLACE DECIMAL = ±0.050
 DIMENSIONS IN INCHES
 DRAWING NOT TO SCALE

PROPRIETARY AND CONFIDENTIAL
 THE INFORMATION CONTAINED IN THIS
 DRAWING IS THE SOLE PROPERTY OF
 AUTOMATION COMPONENTS INC. ANY
 REPRODUCTION IN PART OR AS A WHOLE
 WITHOUT THE WRITTEN PERMISSION OF
 AUTOMATION COMPONENTS INC. IS
 PROHIBITED.



WORKWISE#:
 149008

DEBURR AND BREAK
 SHARP EDGES

DESCRIPTION:
 FSIG-LSH-024

DWG. NO.
 M0000715

REV
 1

MATERIAL:

DATE:
 1/18/2022

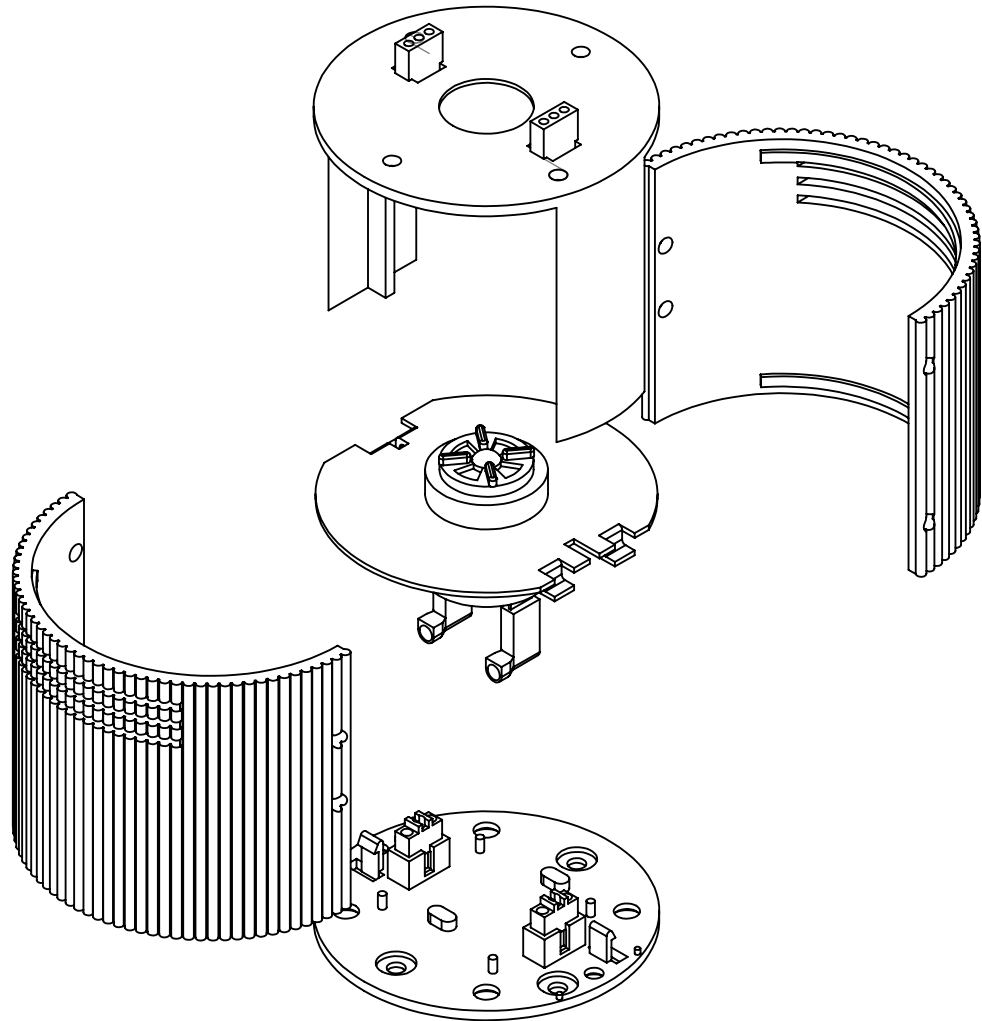
DRAWN BY:
 TM

APPROVED BY:

SCALE: 1:2

DO NOT SCALE DRAWING

SHEET 1 OF 2



DIMENSIONS ARE IN INCHES
 TOLERANCES: (UNLESS NOTED)
 3 PLACE DECIMAL = ± 0.005
 2 PLACE DECIMAL = ± 0.015
 1 PLACE DECIMAL = ± 0.050
 DIMENSIONS IN INCHES
 DRAWING NOT TO SCALE

PROPRIETARY AND CONFIDENTIAL
 THE INFORMATION CONTAINED IN THIS
 DRAWING IS THE SOLE PROPERTY OF
 AUTOMATION COMPONENTS INC. ANY
 REPRODUCTION IN PART OR AS A WHOLE
 WITHOUT THE WRITTEN PERMISSION OF
 AUTOMATION COMPONENTS INC. IS
 PROHIBITED.



WORKWISE#:
 149008

DEBURR AND BREAK
 SHARP EDGES

DESCRIPTION:
 FSIG-LSH-024

DWG. NO.
 M0000715

REV
 1

MATERIAL:

DATE:
 1/18/2022

DRAWN BY:
 TM

APPROVED BY:

SCALE: 1:2

DO NOT SCALE DRAWING

SHEET 2 OF 2