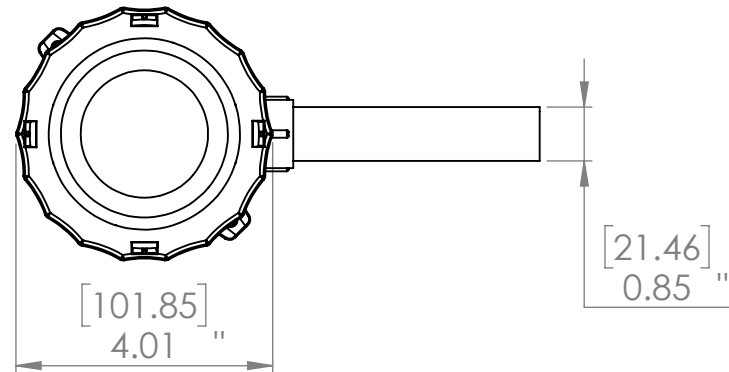


SECTION B-B  
SCALE 1 : 3



DIMENSIONS ARE IN INCHES  
TOLERANCES: (UNLESS NOTED)  
3 PLACE DECIMAL = ±0.005  
2 PLACE DECIMAL = ±0.015  
1 PLACE DECIMAL = ±0.050  
DIMENSIONS IN INCHES  
DRAWING NOT TO SCALE

**PROPRIETARY AND CONFIDENTIAL**  
THE INFORMATION CONTAINED IN THIS  
DRAWING IS THE SOLE PROPERTY OF  
AUTOMATION COMPONENTS INC. ANY  
REPRODUCTION IN PART OR AS A WHOLE  
WITHOUT THE WRITTEN PERMISSION OF  
AUTOMATION COMPONENTS INC. IS  
PROHIBITED.



ITEM NUMBER:

DEBURR AND BREAK  
SHARP EDGES

DESCRIPTION:  
Outside Temp w/Euro Box

DWG. NO.  
M0000003

REV  
2

MATERIAL:

DATE:  
4/30/2019

DRAWN BY:  
TEQ

APPROVED BY:  
TJD

SCALE: 1:5

DO NOT SCALE DRAWING

SHEET 1 OF 1