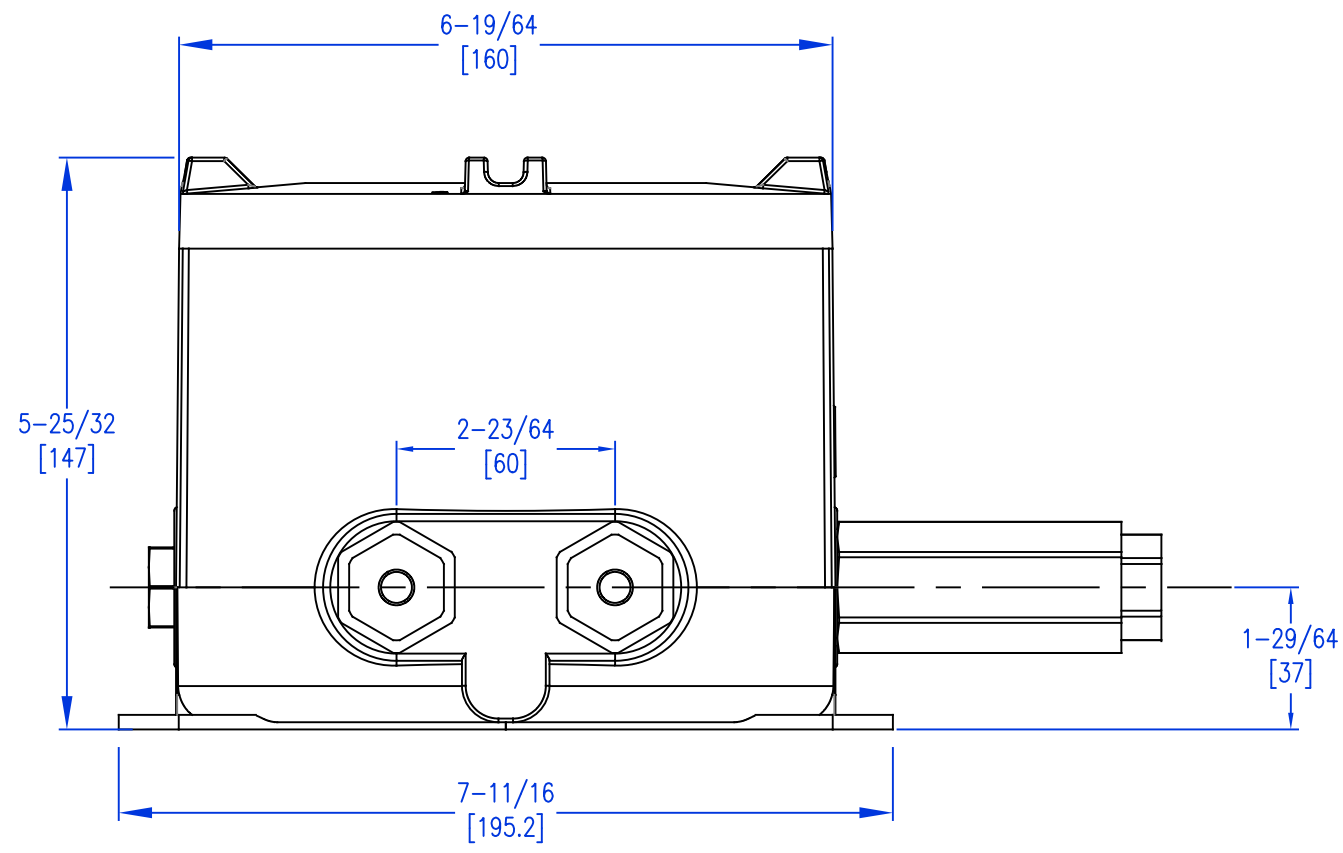
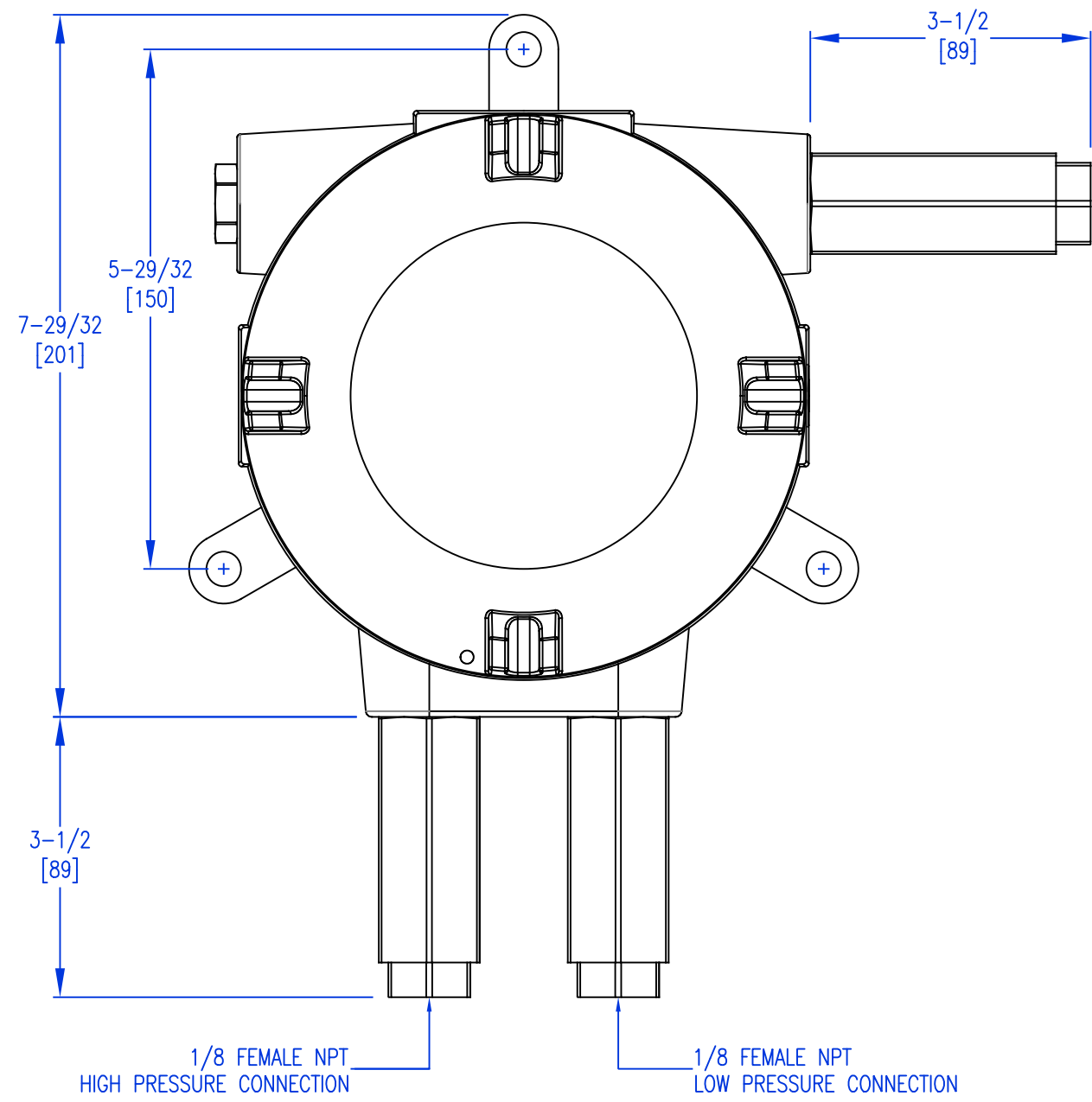
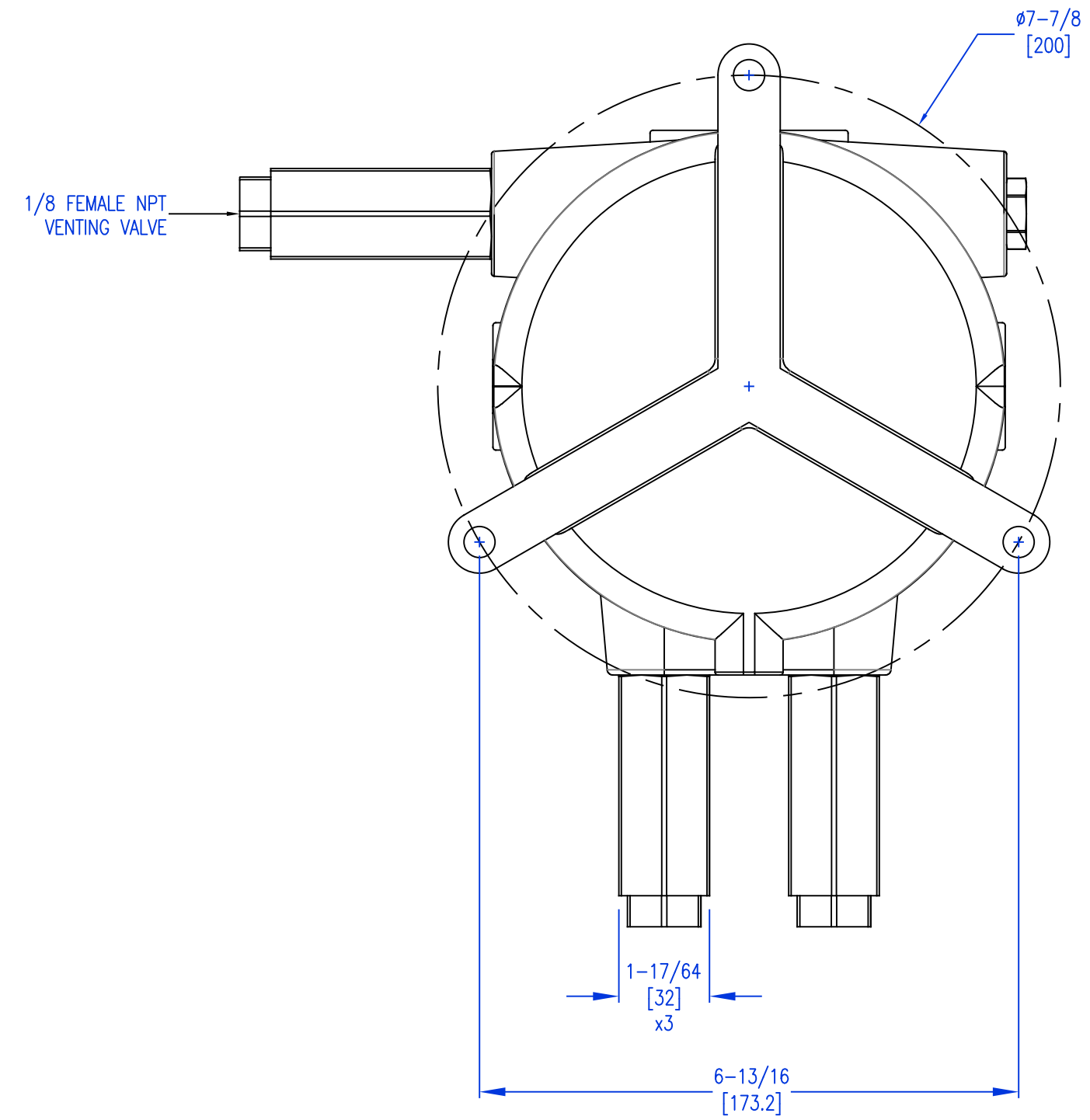


AT-101NA-DHC (VL1 / DTC013)



AT-101NA-DHC (VL1 / DTC013 / BACKSIDE VIEW)



		DATE	11/08/22	NAME	ARTWORK
		DWN BY	CAT		AT-101NA-DHC VL1
		CHKD	KAS		(FOR REFER. ONLY)
		APPD	FE		
NO.	CHANGES	BY/DATE			

Ⓢ = CRITICAL DIMENSION	SCALE	SHEET
	3:1	1 OF 1
WEIGHT/VOLUME	TOLERANCES	THIRD ANGLE
	DECIMAL ± .005	⊕
	ANGLE ± 1°	
	INCHES [mm]	

**Dwyer** DWYER INSTRUMENTS, LLC.  
MICHIGAN CITY, INDIANA 46360 U.S.A.

MATERIAL

FINISH

PART NO. 701495-40

PROPRIETARY NOTICE: This drawing and the principles and elements of design embodied therein are the exclusive property of DWYER INSTRUMENTS and are not to be communicated, disclosed, reproduced or used except as previously authorized in writing by such company and must not be submitted to outside parties for examination without the written consent of said company.