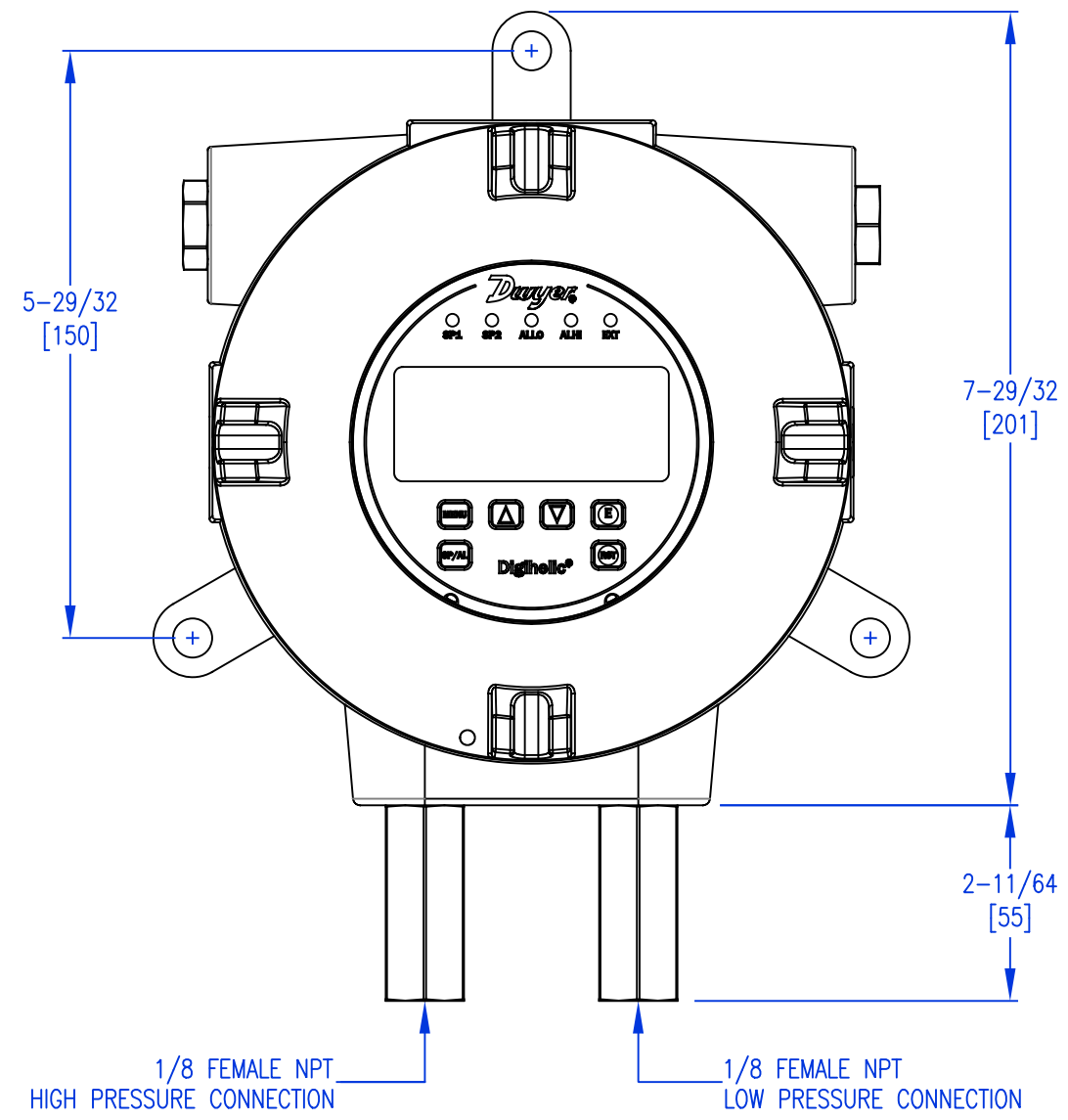
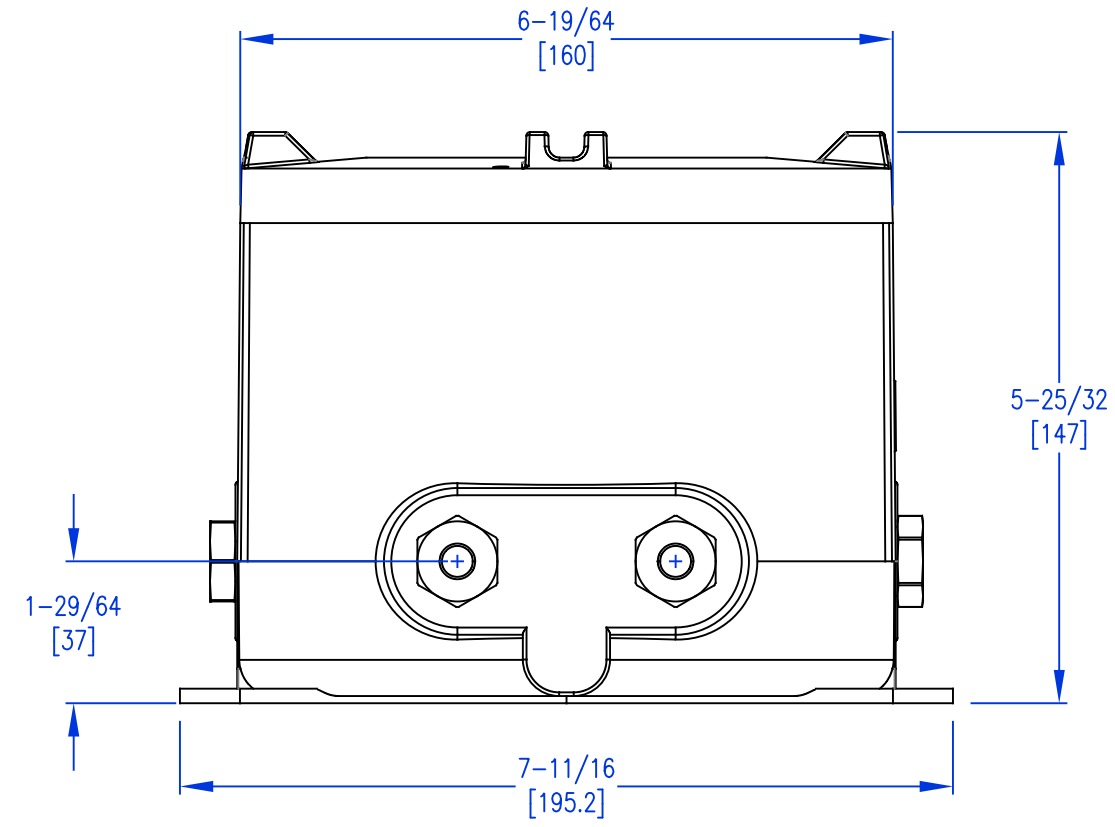
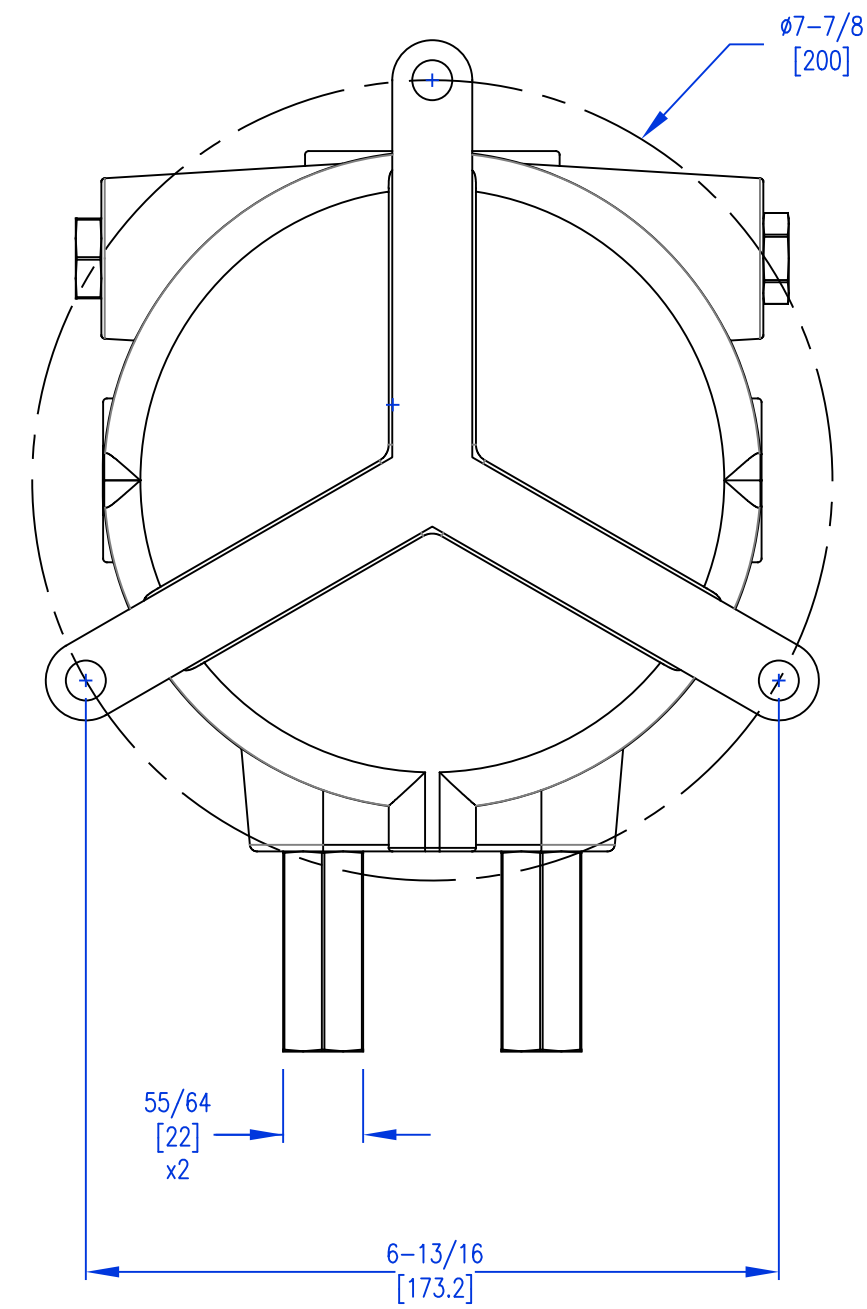


8 | 7 | 6 | 5 | 4 | 3 | 2 | 1

AT-101NA-DHC (VSO / DTC004 / W)



AT-101NA-DHC (VSO / DTC004 / W / BACKSIDE VIEW)



		DATE 11/08/22	NAME ARTWORK AT-101NA-DHC VSO WINDOW (FOR REF. ONLY)		Dwyer INSTRUMENTS, LLC. MICHIGAN CITY, INDIANA 46360 U.S.A.
		DWN BY CAT			
		CHKD KAS			FINISH
		APPD FE	CD = CRITICAL DIMENSION SCALE 1:3 SHEET 1 OF 1	TOLERANCES DECIMAL ± .005 ANGLE ± 1° INCHES [mm]	THIRD ANGLE
NO.	CHANGES	BY/DATE	WEIGHT/VOLUME		PART NO. 701495-01

PROPRIETARY NOTICE: This drawing and the principles and elements of design embodied therein are the exclusive property of DWYER INSTRUMENTS and are not to be communicated, disclosed, reproduced or used except as previously authorized in writing by such company and must not be submitted to outside parties for examination without the written consent of said company.

8 | 7 | 6 | 5 | 4 | 3 | 2 | 1