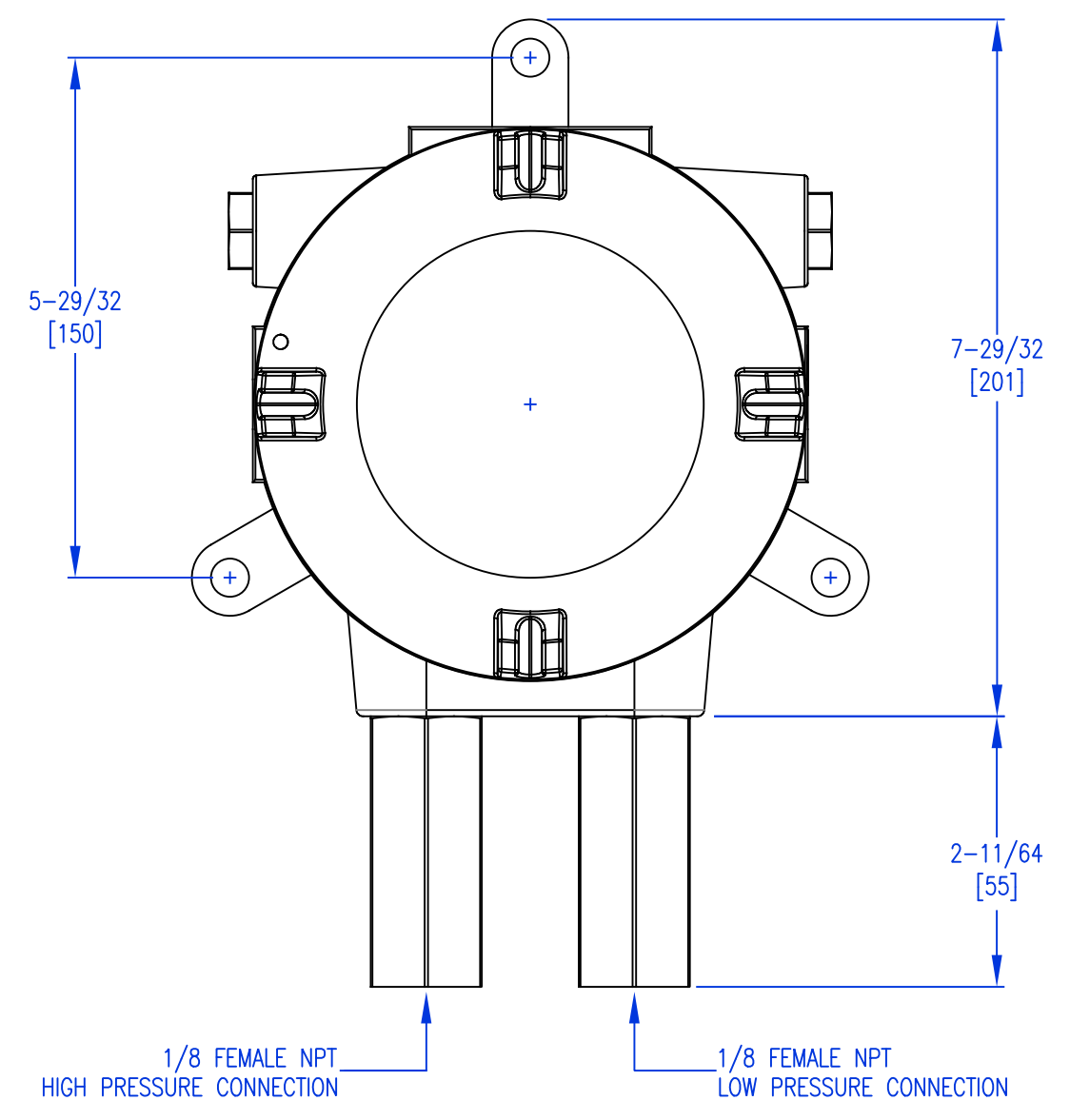
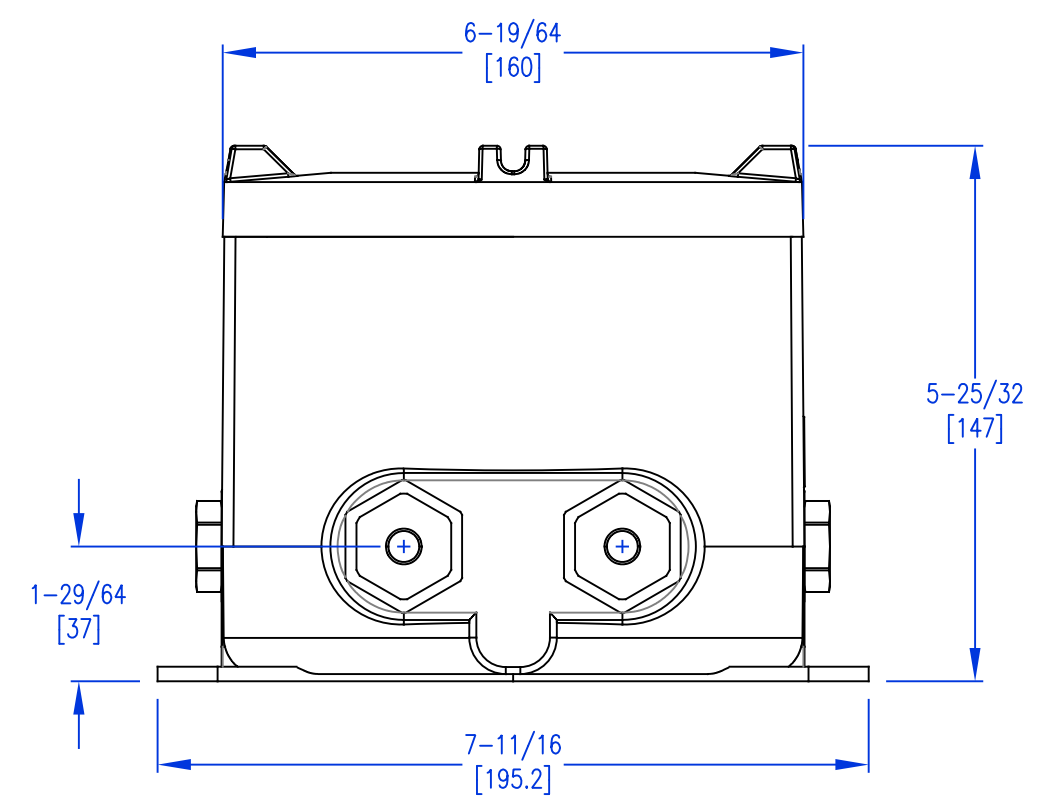
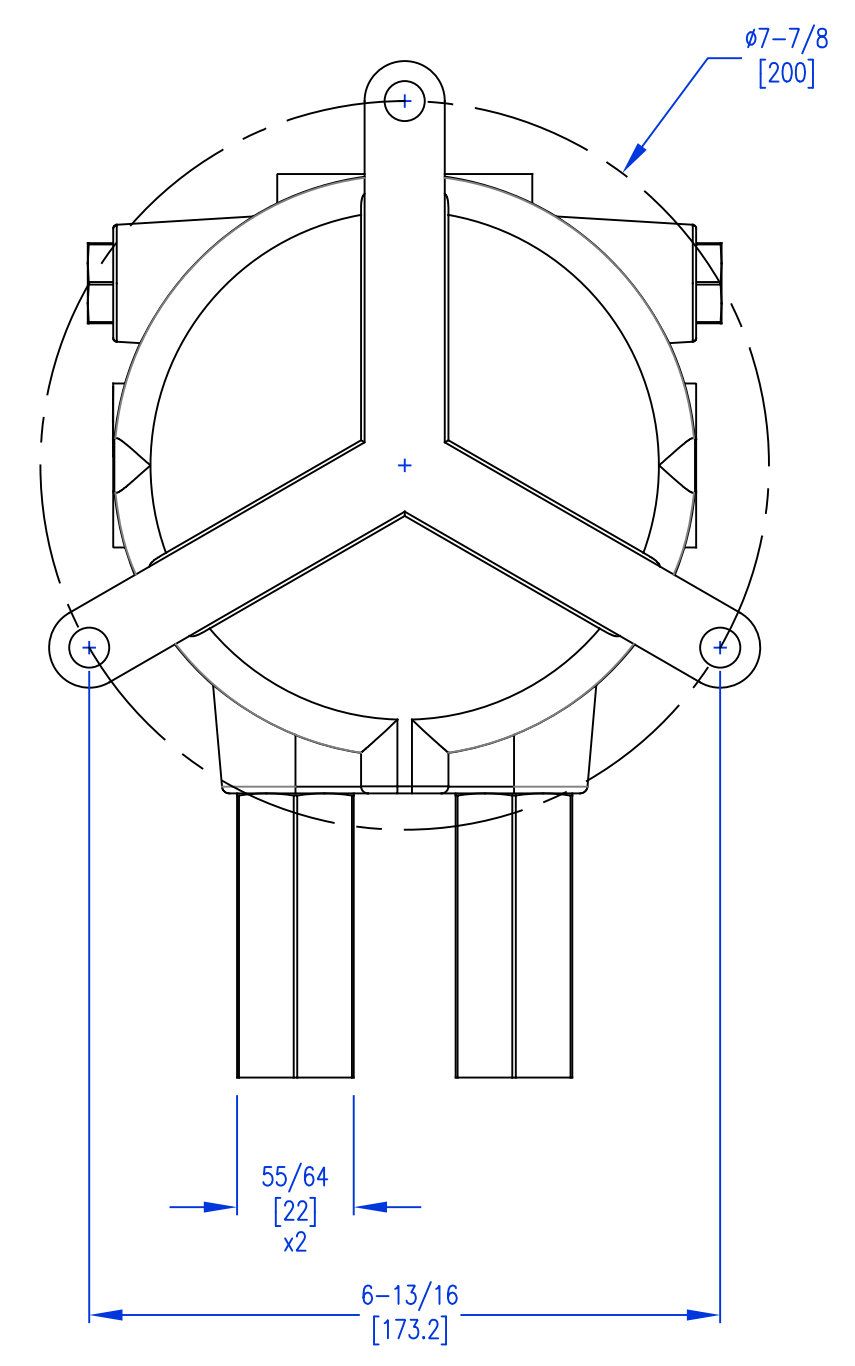


8 7 6 5 4 3 2 1

AT-101NA-DHC (VSO / DTC004)



AT-101NA-DHC (VSO / DTC004 / BACKSIDE VIEW)



DATE	05-18-23	NAME	ARTWORK
DWN BY	KAS		AT-101NA-DHC VSO
CHKD			(FOR REF. ONLY)
APPD		CD = CRITICAL DIMENSION	SCALE 3:1 SHEET 1 OF 1
NO.	CHANGES	BY/DATE	TOLERANCES DECIMAL ± .005 ANGLE ± 1° INCHES [mm]

WEIGHT/VOLUME	THIRD ANGLE
---------------	-------------

Dwyer DWYER INSTRUMENTS, LLC.
MICHIGAN CITY, INDIANA 46360 U.S.A.

MATERIAL

FINISH

PART NO. 701495-00

PROPRIETARY NOTICE: This drawing and the principles and elements of design embodied therein are the exclusive property of DWYER INSTRUMENTS and are not to be communicated, disclosed, reproduced or used except as previously authorized in writing by such company and must not be submitted to outside parties for examination without the written consent of said company.

8 7 6 5 4 3 2 1