

Series 626 & 628 Industrial Pressure Transmitter/Transducer



626/628 pressure transmitters with
general purpose housing (-GH)



626/628 pressure transmitters
with conduit box housing (-CB)
and LCD display

Benefits/Features

Standard:

- NEMA 4X rated enclosure
- Robust 316L SS oil filled sensor
- CE approved design
- 626: 0.25 % FS
- 628: 1.0 % FS

Optional:

- Advanced environmental protection
- C-276 wetted materials
- Digital or analog outputs (I2C)
- Custom range configuration
- Overpressure and/or vacuum protection

Product Applications

- Booster stations
- Pumping systems
- Irrigation equipment
- PTO systems
- Submersible pump control

Series Description

The **Series 626 & 628 Pressure Transmitters** feature a piezo-resistive sensor contained in a compact, rugged, NEMA 4X (IP66) stainless steel general purpose housing or cast aluminum conduit housing.

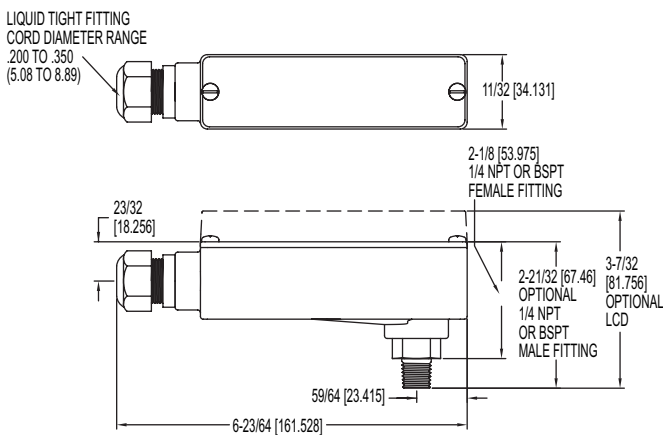
Dwyer offers optional configurations to address multiple common points of failure that have traditionally challenged the use of similar products in extreme conditions. The 626 & 628 are uniquely suited for precision irrigation and additional outdoor power equipment applications. The corrosion resistant 316L stainless steel wetted parts allow the Series 626 & 628 transmitters to measure pressure in a multitude of processes from simple irrigation systems to chemical dosing and injection systems. Optional wetted materials such as C-276 offer chemical compatibility with aggressive media. The 626 & 628 can be configured to provide advanced environmental protection. This includes, but is not limited to, freeze/thaw protection for outdoor cold weather applications, vibration resistance, and/or overpressure protection to protect the sensors against pressure surges or pump cavitation. The Series 626 & 628 are available in absolute and gauge pressure ranges with a variety of optional outputs, process connections, electrical terminations, and select agency approvals to allow you to select the correct transmitter for your application.

Contact Dwyer Instruments today to discuss your specific application needs.

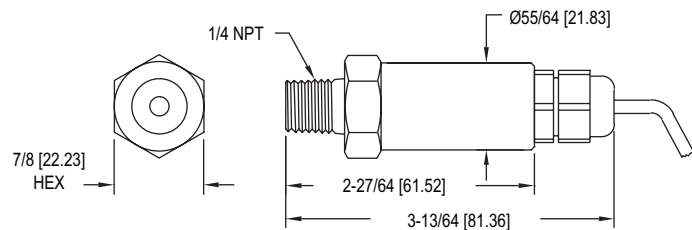
SPECIFICATIONS

Service	Compatible gases and liquids.
Wetted Materials	Type 316L SS. (Consult factory for additional options)
Accuracy	626: 0.25 % FS, 0.20 % RSS; 628: 1.0 % FS, 0.5 % RSS; 626 absolute ranges: 0.5 % FS, 0.35 % RSS. (Includes linearity, hysteresis, and repeatability).
Temperature Limit	0 °F to 200 °F (-18 °C to 93 °C).
Compensated Temperature Range	0 °F to 175 °F (-18 °C to 79 °C).
Thermal Effect	626: ±0.02 % FS/°F; 628: ±0.04 % FS/°F (includes zero and span).
Pressure Limits	See table on catalog page.
Display	Optional 4-1/2 digit LCD field attachable display. For -CB option.
Power Requirement	10 Vdc to 30 Vdc (for 4 mA to 20 mA, 0 Vdc to 5 Vdc, 1 Vdc to 5 Vdc, 1 Vdc to 6 Vdc outputs); 13 Vdc to 30 Vdc (for 0 Vdc to 10 Vdc, 2 Vdc to 10 Vdc outputs); 5 Vdc ±0.5 Vdc (for 0.5 Vdc to 4.5 Vdc ratiometric output).
Output Signal	4 mA to 20 mA, 0 Vdc to 5 Vdc, 1 Vdc to 5 Vdc, 0 Vdc to 10 Vdc, or 0.5 Vdc to 4.5 Vdc, or selectable 0 Vdc to 5 Vdc, 1 Vdc to 5 Vdc, 0 Vdc to 10 Vdc, 2 Vdc to 10 Vdc for -CB option.
Response Time	300 ms.
Loop Resistance	0 Ω to 1000 Ω max. R max = 50 (Vps-10) Ω (4 mA to 20 mA output), 5 KΩ min (0 Vdc to 5 Vdc, 1 Vdc to 5 Vdc, 0.5 Vdc to 4.5 Vdc output), 15 KΩ min (1 Vdc to 6 Vdc, 0 Vdc to 10 Vdc, 2 Vdc to 10 Vdc output).
Current Consumption	38 mA maximum (for 4 mA to 20 mA output); 10 mA maximum (for 0 Vdc to 5 Vdc, 1 Vdc to 5 Vdc, 1 Vdc to 6 Vdc, 0 Vdc to 10 Vdc, 2 Vdc to 10 Vdc, 0.5 Vdc to 4.5 Vdc output); 140 mA maximum (for all 626/628/629-CH with optional LED).
Electrical Connections	Model dependent options: Wire end, Hirschman DIN EN 175801-803-C, Packard, Deutsch, M12.
Process Connections	Model dependent options: 1/8", 1/4", 1/2" male NPT; 1/4" female NPT; 1/4" male or female BSPT; 1/8" or 1/4" male BSPP ISO 1179; 1/4" female SAE valve depressor.
Enclosure Rating	NEMA 4X (IP66).
Mounting Orientation	Mount in any position.
Weight	10 oz (283 g).
Compliance	Standard: CE; Optional: NSF/ANSI 61/372, ANSI/UL 218, ANSI/UL 508, NEPA 20.

DIMENSIONS



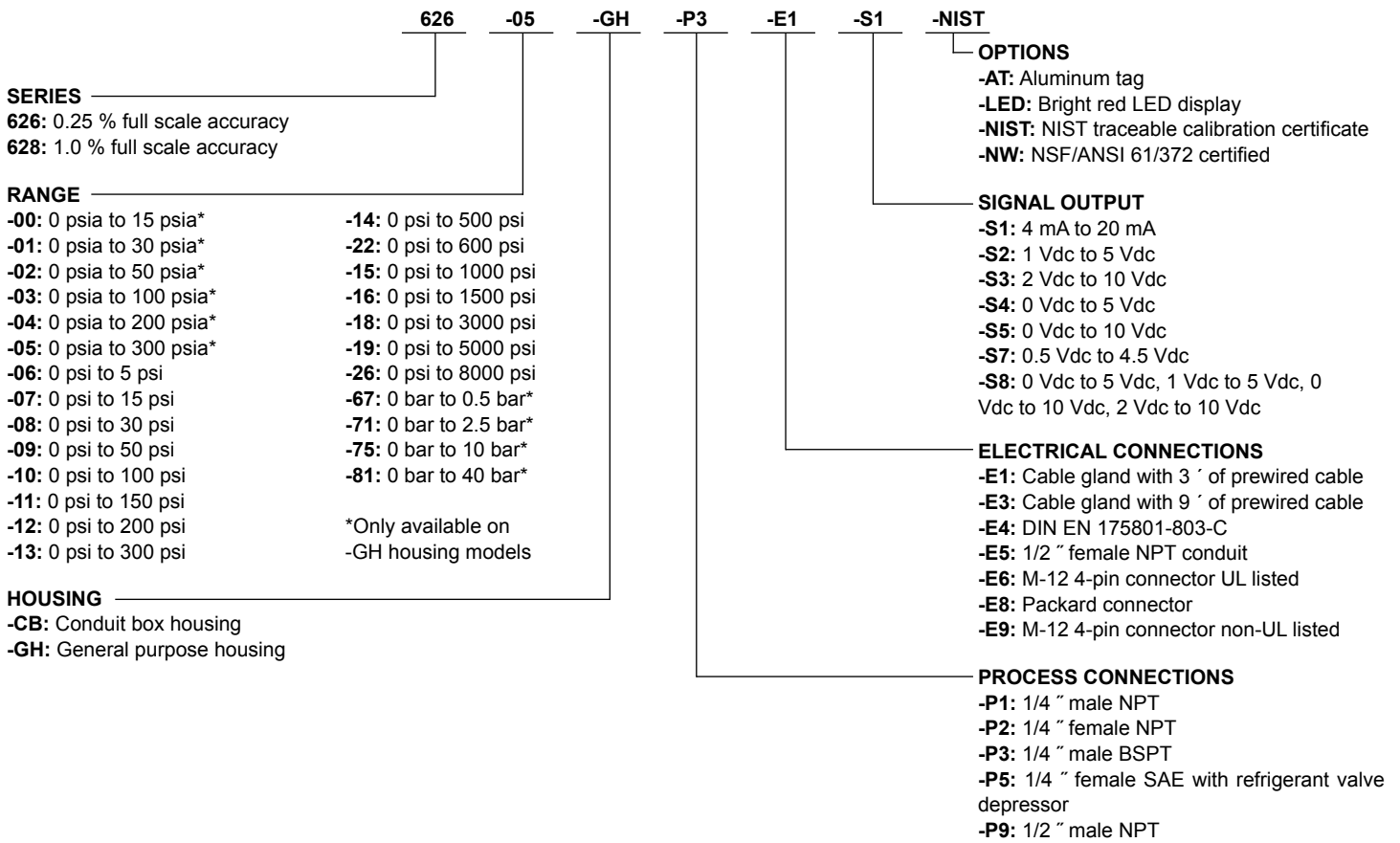
Conduit housing



General purpose housing

HOW TO ORDER

Use the **bold** characters from the chart below to construct a product code.



ACCESSORIES

Model	Description
A-164	16.4' (5 m) cable with M-12 4-pin female connector
A-62X-LCD	Field-upgradeable LCD
A-960	3' (1 m) Packard cable
A-961	9' (3 m) Packard cable
A-962	20' (7 m) Packard cable

Important Notice: Dwyer Instruments, LLC reserves the right to make changes to or discontinue any product or service identified in this publication without notice. Dwyer advises its customers to obtain the latest version of the relevant information to verify, before placing any orders, that the information being relied upon is current.

